

QUALITÄT aus **ERFAHRUNG**

QUALITÉ validée par l'**EXPÉRIENCE**

QUALITY from **EXPERIENCE**

T O M C

2024

seit / depuis / since 1992

KOMPAKT-STECKSCHLÜSSELSATZ JEU DE CLÉS DE DOUILLES COMPACT COMPACT SOCKET WRENCH SET

39
PCS

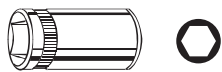
1/4"

1/4"



±165 x 95 x 48 mm / 765 g

1/4"



9 5.5 - 6 - 7 - 8 - 9 - 10
11 - 12 - 13 mm

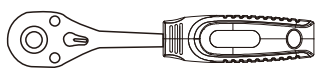


1 1/4" □ 1/4" □

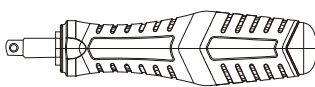


2 50 - 100 mm

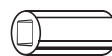
72



1 1/4" □



1 1/4" ■



1 1/4" □ 1/4" □

1/4"



5 3 - 4 - 5 - 6 - 7 mm



4 PH0 - PH1 - PH2 - PH3



4 PZ0 - PZ1 - PZ2 - PZ3



7 T10 - T15 - T20 - T25
T27 - T30 - T40



4 3 - 4 - 5 - 6 mm


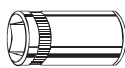







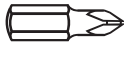


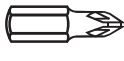




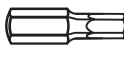

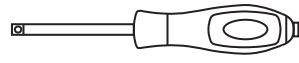

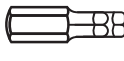


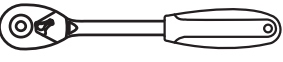

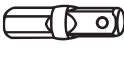



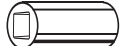




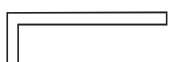

STECKSCHLÜSSELSATZ IN ABS-KASTEN JEU DE CLÉS DE DOUILLES EN BOÎTE EN ABS SOCKET WRENCH CASE IN ABS CASE

44
 PCS



Hard top
EVA

±195 x 130 x 38 mm / 889 g

			13	4 - 4.5 - 5 - 5.5 - 6 - 7 - 8 - 9 10 - 11 - 12 - 13 - 14 mm				3	4.5 - 5.5 - 6.5 mm
			1	1/4"  1/4" 				3	PH1 - PH2 - PH3
			1	100 mm				2	PZ1 - PZ2
			1	3/8"  1/4" 				6	T10 - T15 - T20 T25 - T30 - T40
			1	1/4" 				5	3 - 4 - 5 - 6 - 8 mm
			1	1/4" 				1	1/4"  1/4" 
			1	1/4"  1/4" 				1	60 mm
								4	1.25 - 1.5 - 2 - 2.5 mm

STECKSCHLÜSSEL-/BIT-KOFFER COFFRET DE CLÉS DE DOUILLES ET EMBOUTS SOCKET WRENCH + BIT-CASE

**85
PCS**



**Hard top
EVA**

±180 x 265 x 65 mm / 1500 g

		13	4 - 4.5 - 5 - 5.5 - 6 7 - 8 - 9 - 10 - 11 12 - 13 - 14 mm		5	PH0 - PH1 - PH2 - PH3 - PH4
		1	1/4" 1/4"		4	PZ0 - PZ1 - PZ2 - PZ3
		2	50 mm / 100 mm		15	T8 - T10x2 - T15x2 - T20x2 T25x3 - T27 - T30x2 - T40x2
		1	110 mm		8	TT8 - TT10 - TT15 - TT20 - TT25 TT27 - TT30 - TT40
		1	1/4"		6	3 - 4 - 5 - 6 - 7 - 8 mm
		1	1/4"		5	2 - 3 - 4 - 5 - 6 mm
		1	1/4"		4	4 - 6 - 8 - 10 mm
		1	1/4"		4	No. 1 - No. 2 - No. 3 - No. 4
		1	1/4"		3	6 - 8 - 10 mm
		6	4 - 4.5 - 5.5 - 6 - 6.5 - 8 mm		4	1.25 - 1.5 - 2 - 2.5 mm

STECKSCHLÜSSELKOFFER COFFRET DE CLÉS DE DOUILLES SOCKET WRENCH CASE


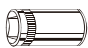





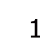
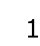
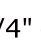




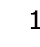
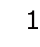
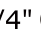



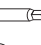
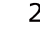




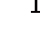




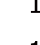
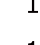

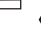



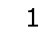
**50
PCS**

1/4"



**Hard top
EVA**

±180 x 265 x 65 mm / 1500 g

			13	4 - 4.5 - 5 - 5.5 - 6 - 7 - 8 9 - 10 - 11 - 12 - 13 - 14 mm			3	4 - 5.5 - 6.5 mm
			1	1/4"  1/4" 			4	PH0 - PH1 - PH2 - PH3
			1	1/4"  1/4" 			4	PZ0 - PZ1 - PZ2 - PZ3
			2	50 mm / 100 mm			8	T8 - T10 - T15 - T20 T25 - T27 - T30 - T40
			1	110 mm			6	3 - 4 - 5 - 6 - 7 - 8 mm
			1	1/4" 			5	1.25 - 1.5 - 2 - 2.5 - 3 mm
			1	1/4" 				





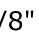









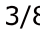







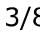








STECKSCHLÜSSELKOFFER COFFRET DE CLÉS DE DOUILLES SOCKET WRENCH CASE

69
PCS



Hard top
EVA

±275 x 345 x 80 mm / 4000 g

		19	5.5 - 6 - 7 - 8 - 9 - 10 - 11 - 12 - 13 14 - 15 - 16 - 17 - 18 - 19 - 20 - 21 22 - 24 mm			1	3/8"  5/16" 
		10	8 - 10 - 11 - 12 - 13 - 14 15 - 17 - 19 - 22 mm			3	5.5 - 7 - 8 mm
		2	16 - 21 mm			4	PH1 - PH2 - PH3 - PH4
		1	3/8"  3/8" 			4	PZ1 - PZ2 - PZ3 - PZ4
		2	75 mm / 150 mm			10	TT8 - TT10 - TT15 - TT20 TT25 - TT27 - TT30 - TT40 TT45 - TT50
		1	3/8"  3/8" 			7	3 - 4 - 5 - 6 - 7 - 8 - 10 mm
		1	3/8" 			4	M6 - M8 - M10 - M12


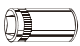

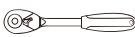

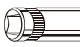
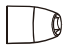

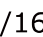

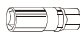


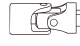
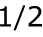





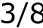

STECKSCHLÜSSELKOFFER COFFRET DE CLÉS DE DOUILLES SOCKET WRENCH CASE

45
PCS



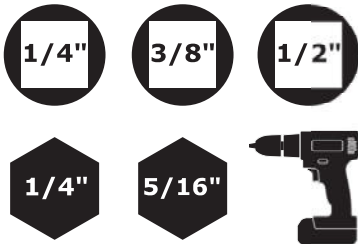
Hard top
EVA

±275 x 345 x 80 mm / 5500 g

- | | | | | | | | |
|------------------------------------------------------------------------------------|-------------------------------------------------------------------------------------|----|-----------------------------------------------------------------------------------------------------------------------------------------------------------------------------------|-------------------------------------------------------------------------------------|-------------------------------------------------------------------------------------|---|----------------------------------------------------------------------------------------------------------------------------------------------------------------------------------|
|  |  | 16 | 8 - 10 - 11 - 12 - 13 - 14
15 - 16 - 17 - 18 - 19 - 22
24 - 27 - 30 - 32 mm |  |  | 1 | 1/2"  |
| |  | 9 | 10 - 12 - 13 - 14 - 15
17 - 19 - 22 - 24 mm | |  | 1 | 1/2"   |
|  |  | 2 | 16 - 21 mm |  |  | 2 | PH1 - PH2 |
| |  | 1 | 1/2"  1/2"  | |  | 4 | TT20 - TT25 - TT30 - TT40 |
| |  | 2 | 125 mm / 250 mm | |  | 6 | 3 - 4 - 5 - 6 - 8 - 10 mm |
| |  | 1 | 3/8"  1/2"  | | | | |

UNIVERSAL-STECKSCHLÜSSELKOFFER COFFRET UNIVERSEL DE CLÉS DE DOUILLES UNIVERSAL SOCKET WRENCH CASE

202
PCS



±430 x 345 x 88 mm / 8655 g

		13	4 - 4.5 - 5 - 5.5 - 6 - 7 - 8 9 - 10 - 11 - 12 - 13 - 14 mm		6	E10 - E11 - E12 - E14 - E16 - E18		8	TS10 - TS15 - TS20 TS25 - TS27 - TS30 TS40 - TS45
		7	4 - 5 - 6 - 7 - 8 - 9 - 10 mm		3	16 - 18 - 21 mm		3	M5 - M6 - M8
		5	E4 - E5 - E6 - E7 - E8		1	3/8" 3/8"		5	M5 - M6 - M7 M8 - M9
		1	1/4" 1/4"		1	3/8" 5/16"		4	No.4 - No.6 No.8 - No.10
		1	1/4" 1/4"		1	125 mm		2	R1 - R2
		2	50 - 100 mm		1	3/8"		3	No.1 - No.2 - No.3
		1	1/4" 3/8"		17	10 - 11 - 12 - 13 - 14 - 15 16 - 17 - 18 - 19 - 20 - 21 22 - 24 - 27 - 30 - 32 mm		4	No.1 - No.2 No.3 - No.4
		1	1/4"		5	16 - 17 - 18 - 19 - 22 mm		3	No.6 - No.8 - No.10
		1	1/4"		2	E20 - E24		1	1/4" 1/4"
		1	1/4"		1	1/2" 1/2"		1	60 mm
		4	4 - 5.5 - 6.5 - 7 mm		2	125 - 250 mm		3	8 - 10 - 12 mm
		3	PH0 - PH1 - PH2		1	1/2" 3/8"		2	PH3 - PH4
		3	PZ0 - PZ1 - PZ2		1	1/2" 5/16"		2	PZ3 - PZ4
		4	3 - 4 - 5 - 6 mm		1	1/2"		6	T40 - T45 - T50 T55 - T60 - T70
		8	T8 - T9 - T10 - T15 T20 - T25 - T27 - T30		1	1/2"		6	TT40 - TT45 - TT50 TT55 - TT60 - TT70
		8	TT8 - TT9 - TT10 - TT15 TT20 - TT25 - TT27 - TT30		12	T5 - T6 - T7 - T8 - T10 - T15 T20 - T25 - T27 - T30 - T40 - T45		5	7 - 8 - 10 - 12 - 14 mm
		10	10 - 11 - 12 - 13 - 14 - 15 16 - 17 - 18 - 19 mm		2	PH1 - PH2		7	1.27 - 1.5 - 2 - 2.5 3 - 4 - 5 mm
		6	10 - 11 - 12 - 13 - 14 - 15 mm		2	PZ1 - PZ2			

STECKSCHLÜSSELKOFFER COFFRET DE CLÉS DE DOUILLES SOCKET WRENCH CASE

115
PCS



Hard top
EVA

±304 x 423 x 95 mm / 6700 g

- 12 4 - 4.5 - 5 - 5.5 - 6 - 7 - 8
9 - 10 - 11 - 12 - 13 mm
- 1 1/4" □ 1/4" □
- 2 50 mm / 100 mm
- 1 1/4"
- 1 1/4" ■
- 1 1/4" □
- 1 1/4" □ 1/4" ○
- 1 1/4" ■
- 3 4 - 5.5 - 6.5 mm
- 3 PH0 - PH1 - PH2
- 3 PZ0 - PZ1 - PZ2
- 8 T8 - T10 - T15 - T20 - T25 - T27
T30 - T40
- 8 TT8 - TT10 - TT15 - TT20 - TT25
TT27 - TT30 - TT40
- 4 3 - 4 - 5 - 6 mm
- 4 4 - 6 - 8 - 10 mm
- 4 No. 1 - No. 2 - No. 3 - No. 4
- 3 6 - 8 - 10 mm
- 4 1.25 - 1.5 - 2 - 2.5 mm

- 15 10 - 13 - 14 - 15 - 16 - 17 - 18 - 19
20 - 21 - 22 - 24 - 27 - 30 - 32 mm
- 5 10 - 13 - 17 - 19 - 22 mm
- 2 16 - 21 mm
- 1 1/2" □ 1/2" □
- 2 125 mm / 250 mm
- 1 3/8" □ 1/2" □
- 1 1/2" □
- 1 1/2" □ 5/16" ○
- 2 7 - 8 mm
- 2 PH3 - PH4
- 2 PZ3 - PZ4
- 2 T45 - T50
- 3 7 - 8 - 10 mm
- 4 M6 - M8 - M10 - M12
- 8 8 - 10 - 11 - 12 - 13 - 14 - 17 - 19 mm

UNIVERSAL-STECKSCHLÜSSELKOFFER COFFRET UNIVERSEL DE CLÉS DE DOUILLES UNIVERSAL SOCKET WRENCH CASE

**250
PCS**



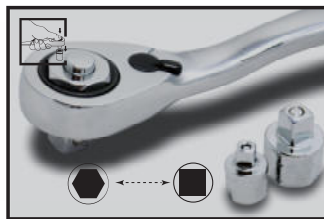
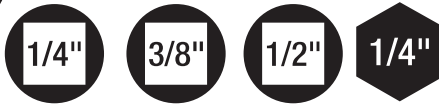
±395 x 485 x 114 mm / 10'000 g

- | | | | | | | | | | | |
|--|--|----|----------------------------------------------------------------|--|----|------------------------------------------------------------------------|--|--|----|-------------------------------------------------------------------|
| | | 13 | 4 - 4.5 - 5 - 5.5 - 6 - 7 - 8
9 - 10 - 11 - 12 - 13 - 14 mm | | 6 | 3 - 4 - 5 - 6 - 7 - 8 mm | | | 12 | 0.7 - 0.9 - 1.3 - 1.5 - 2.0
2.5 - 3 - 3.5 - 4 - 4.5 - 5 - 6 mm |
| | | 5 | E4 - E5 - E6 - E7 - E8 | | 6 | 2 - 2.5 - 3 - 4 - 5 - 6 mm | | | 4 | T3 - T4 - T5 - T6 |
| | | 1 | 1/4" 1/4" | | 9 | T8 - T9 - T10 - T15 - T20
T25 - T27 - T30 - T40 | | | 6 | TT7 - TT8 - TT9 - TT10 - TT15 - TT20 |
| | | 1 | 1/4" 1/4" | | 9 | TT8 - TT9 - TT10 - TT15 - TT20
TT25 - TT27 - TT30 - TT40 | | | 3 | P2 - P5 - P6 |
| | | 2 | 50 mm / 100 mm | | 9 | TS8 - TS9 - TS10 - TS15 - TS20
TS25 - TS27 - TS30 - TS40 | | | 3 | R0 - R1 - R2 |
| | | 1 | 110 mm | | 9 | TS8 - TS9 - TS10 - TS15 - TS20
TS25 - TS27 - TS30 - TS40 | | | 5 | PH000 - PH00 - PH0 - PH1
PH2 |
| | | 1 | 150 mm ■ | | 9 | TS8 - TS9 - TS10 - TS15 - TS20
TS25 - TS27 - TS30 - TS40 | | | 4 | J000 - J00 - J0 - J1 |
| | | 1 | 1/4" | | 4 | 4 - 6 - 8 - 10 mm | | | 1 | 3 |
| | | 9 | 10 - 13 - 15 - 16 - 18 - 24
27 - 30 - 32 mm | | 4 | M4 - M5 - M6 - M8 | | | 1 | 0.8 |
| | | 4 | 17 - 19 - 21 - 22 mm | | 3 | 6 - 8 - 10 mm | | | 7 | 1 - 1.5 - 2 - 2.5 - 3 - 3.5 - 4 mm |
| | | 8 | E10 - E12 - E14 - E16 - E18 - E20
E22 - E24 | | 4 | No. 1 - No. 2 - No. 3 - No. 4 | | | 2 | 0 - 1 |
| | | 2 | 16 - 21 mm | | 2 | R1 - R2 | | | 5 | 2.5 - 3 - 3.5 - 4 - 5 mm |
| | | 1 | 1/2" 1/2" | | 1 | 1/4" ■ | | | 1 | +- |
| | | 1 | 1/2" 5/16" | | 1 | 60 mm | | | 1 | 143 mm |
| | | 2 | 125 mm / 250 mm | | 3 | 8 - 10 - 12 mm | | | 1 | 95 mm |
| | | 1 | 3/8" 1/2" | | 4 | PH1 - PH2 - PH3 - PH4 | | | 1 | 25 mm |
| | | 1 | 1/2" | | 4 | PZ1 - PZ2 - PZ3 - PZ4 | | | 1 | 1/4" |
| | | 5 | 4 - 4.5 - 5.5 - 6 - 6.5 mm | | 12 | T10 - T15 - T20 - T25 - T27 - T30
T35 - T40 - T45 - T50 - T55 - T60 | | | 9 | 1.5 - 2 - 2.5 - 3 - 4 - 5 - 6 - 8 - 10 mm |
| | | 5 | PH0 - PH1 - PH2 - PH3 - PH4 | | 7 | TT25 - TT27 - TT30 - TT35 - TT40 -
TT45 - TT50 | | | 12 | 6 - 8 - 10 - 11 - 12 - 13 - 14 - 15
16 - 17 - 18 - 19 mm |
| | | 5 | PZ0 - PZ1 - PZ2 - PZ3 - PZ4 | | 2 | M10 - M12 | | | 3 | 10 - 12 - 14 mm |

DURCHSTECK-STECKSCHLÜSSELKOFFER

COFFRET DE DOUILLES TRAVERSANTES

PASS-THROUGH SOCKET WRENCH CASE



Durchgehende Ratschenköpfe, Stecknüsse und Verlängerungen zum Schrauben von langen Bolzen und Gewindestangen. Ersetzt lange Stecknüsse.

Les têtes de cliquets, les douilles et rallonges traversantes pour le vissage et dévissage des boulons longs et des tiges filetées. Remplace des douilles longues.

Pass-through ratchet heads, sockets and extensions for screwing long bolts and threaded rods. Replacing long sockets.

370 x 270 x 60 mm / 3180 g

13 mm 11 4.5-5-5.5-6-7-8-9-10-11-12-13 mm

4.5-5-5.5-6-7-8-9 mm 10-11-12-13 mm

3/16"-13/64"-7/32"-1/4" 9/32"-5/16"-11/32"-3/8" 7/16"-15/32"-1/2"

E6-E7-E8-E10 E12-E14-E16

M6-M8-M10 M12-M14-M16

19 mm 11 8-10-11-12-13-14-15-16-17-18-19 mm

8-10-11-12-13-14-15 16-17-18-19 mm

5/16"-3/8"-7/16"-15/32" 1/2"-9/16"-19/32"-5/8" 11/16"-23/32"-3/4"

E10-E12-E14-E16 E18-E20-E22-E24

M10-M12-M14 M16-M18

22 mm 7 19-20-21-22-23-24-25 mm

19-20-21-22-23-24 25 mm

3/4"-25/32"-13/16"-7/8" 29/32"-15/16"-1"

E24-E26-E28-E30 E32

3 13 mm x 1/4", 19 mm x 3/8", 22 mm x 1/2"

Adapter für Standard-Stecknüsse
Adaptateur pour douilles standard
Adapter for standard sockets

3 13 mm x 1/4", 19 mm x 3/8", 22 mm x 1/2"

75 mm

72 13 mm x 1/4", 19 mm x 3/8", 22 mm x 1/2"

3 13 mm x 1/4", 19 mm x 3/8", 22 mm x 1/2"

13 mm 1/4"

1/4" 25 mm

2 4-5.5 mm

2 PH 1-2



3 T10-T15-T20

3 4-5-6 mm



UNIVERSAL-WERKZEUGKOFFER COFFRET D'OUTILS UNIVERSELS UNIVERSAL TOOL CASE






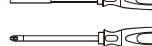

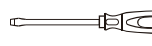



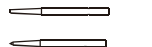





















104
PCS

3/8" **1/4"**

Hard top
EVA



±395 x 485 x 114 mm / 8500 g

- | | | | | | |
|------------------------------------------------------------------------------------|----|-----------------------------------------------------------------------------------------|--------------------------------------------------------------------------------------|----|-------------------------------------------|
|  | 18 | 5.5 - 6 - 7 - 8 - 9 - 10 - 11 - 12 - 13 - 14 - 15 - 16 - 17 - 18 - 19 - 21 - 22 - 24 mm |  | 9 | 1.5 - 2 - 2.5 - 3 - 4 - 5 - 6 - 8 - 10 mm |
|  | 2 | 16 - 21 mm |  | 1 | 110 - 250 V |
|  | 1 | 3/8" □ 3/8" □ |  | 1 | 1/4" |
|  | 1 | 150 mm |  | 2 | PH1 - PH2 |
|  | 1 | 3/8" □ 3/8" □ |  | 3 | 3.5 - 5.5 - 6.5 mm |
|  | 1 | 3/8" □ 1/4" □ |  | 1 | 150 mm |
|  | 1 | 3/8" □ |  | 1 | 3 X 125 mm |
|  | 1 | 3/8" □ 1/4" □ |  | 1 | 2 X 120 mm |
|  | 4 | 4 - 5.5 - 6.5 - 8 mm |  | 1 | 300 g |
|  | 4 | PH0 - PH1 - PH2 - PH3 |  | 1 | 5 m x 19 mm |
|  | 3 | PZ1 - PZ2 - PZ3 |  | 1 | 180 mm |
|  | 7 | T10 - T15 - T20 - T25 - T27 - T30 - T40 |  | 1 | 175 mm |
|  | 7 | TT10 - TT15 - TT20 - TT25 - TT27 - TT30 - TT40 |  | 1 | 250 mm |
|  | 6 | 3 - 4 - 5 - 6 - 7 - 8 mm |  | 1 | 200 mm |
|  | 1 | 1/4" □ |  | 1 | 18 mm |
|  | 1 | 1/4" □ 1/4" □ |  | 10 | 18 mm |
|  | 1 | LED | | | |
| | 8 | 8 - 10 - 11 - 12 - 13 - 14 - 17 - 19 mm | | | |

UNIVERSAL-BIT-KOFFER COFFRET D'EMBOUITS UNIVERSEL UNIVERSAL BIT CASE

140
PCS

1/4"

25
mm

50
mm

mit allen gängigen, speziellen
und Sicherheitsbits

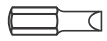
avec tous les embouts courants,
spéciaux et de sécurité

with all standard, special
and security bits



±240 x 190 x 65 mm / 1533 g

25
mm



6

4 - 4.5 - 5.5 - 6 - 6.5 - 8 mm



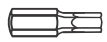
6

PH1 x 2 - PH2 x 2 - PH3 x 2



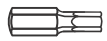
6

PZ1 x 2 - PZ2 x 2 - PZ3 x 2



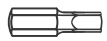
28

T8 x 2 - T10 x 2 - T15 x 2
T20 x 5 - T25 x 6 - T27 x 3
T30 x 4 - T40 x 4



16

TT8 x 2 - TT10 x 2 - TT15 x 2
TT20 x 2 - TT25 x 2 - TT27 x 2
TT30 x 2 - TT40 x 2



15

TS10 - TS15 x 2 - TS20 x 2 - TS25 x 3
TS27 x 2 - TS30 x 3 - TS40 x 2



6

3 - 4 - 5 - 6 - 7 - 8 mm



4

3 - 4 - 5 - 6 mm



4

No.1 - No.2 - No.3 - No.4



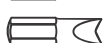
3

No.6 - No.8 - No.10



3

No.1 - No.2 - No.3



4

No.4 - No.6 - No.8 - No.10



2

R1 - R2



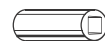
3

M5 - M6 - M8



1

1/4" 1/4"



1

1/4" 1/4"

50
mm



3

SL4 - SL5.5 - SL6.5



3

PH1 - PH2 - PH3



3

PZ1 - PZ2 - PZ3



2

H3 - H6



7

T10 - T15 - T20 - T25
T27 - T30 - T40



1

1/4" 1/4"



1

60 mm



10

4 - 5 - 6 - 7 - 8 - 9
10 - 11 - 12 - 13



1



1

210 mm

UNIVERSAL-ALU-WERKZEUGKOFFER COFFRET ALU D'OUTILS UNIVERSELS UNIVERSAL ALU TOOL CASE

180
PCS

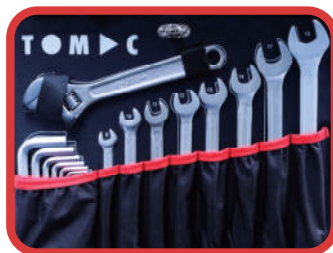
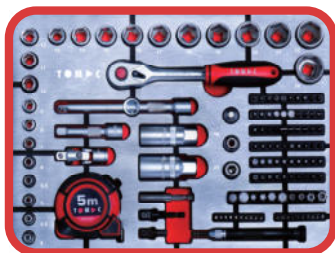


- | | | | |
|----|-------------------------------------------------------------------------|----|-------------------------------------------------------------|
| 8 | 4 - 4.5 - 5 - 5.5 - 6
7 - 8 - 9 mm | 9 | 1.5 - 2 - 2.5 - 3 - 4
5 - 6 - 8 - 10 mm |
| 14 | 10 - 11 - 12 - 13 - 14 - 15 - 16 - 17
18 - 19 - 20 - 21 - 22 - 24 mm | 1 | 200 mm |
| 1 | 3/8" 3/8" | 8 | 8 - 10 - 11 - 12
13 - 14 - 17 - 19 mm |
| 2 | 75 mm / 150 mm | 1 | 160 mm |
| 1 | 3/8" 3/8" | 1 | 180 mm |
| 2 | 16 mm / 21 mm | 1 | 200 mm |
| 1 | 60 mm | 1 | 110 - 250 V |
| 1 | 50 mm 3/8" 1/4" | 4 | 3.5 x 75 mm
4.0 x 100 mm
5.5 x 100 mm
6.5 x 100 mm |
| 1 | 30 mm 3/8" 1/4" | 2 | PH1 x 100 mm
PH2 x 100 mm |
| 1 | 3/8" 5/16" | 1 | 1/4 x 100 mm |
| 1 | 3/8" 1/4" | 1 | 150 mm |
| 1 | 3/8" 1/4" | 5 | 150 mm |
| 1 | 3/8" | 4 | 18 mm |
| 6 | 4 - 4.5 - 5.5 - 6 - 6.5 - 8 mm | 10 | 18 mm |
| 4 | PZ0 - PZ1 - PZ2 - PZ3 | 1 | 250 mm |
| 6 | 3 - 4 - 5 - 6 - 7 - 8 mm | 1 | 300 g |
| 4 | 4 - 6 - 8 - 10 mm | 1 | 300 mm |
| 5 | 2 - 3 - 4 - 5 - 6 mm | 1 | 300 mm |
| 3 | 6 - 8 - 10 mm | 1 | 300 mm |
| 4 | No. 1 - No. 2 - No. 3 - No. 4 | 1 | 300 mm |
| 14 | T8 - T10 x 2 - T15 x 2 - T20 x 2
T25 x 2 - T27 - T30 x 2 - T40 x 2 | 1 | 300 mm |
| 5 | PH0 - PH1 - PH2 - PH3 - PH4 | 1 | 300 mm |
| 8 | TT8 - TT10 - TT15 - TT20 - TT25
TT27 - TT30 - TT40 | 1 | 300 mm |
| 1 | 1/4" | 1 | 300 mm |
| 2 | 10 - 12 mm | 1 | 300 mm |
| 4 | T45 - T50 - T55 - T60 | 1 | 300 mm |
| 4 | TT45 - TT50 - TT55 - TT60 | 1 | 300 mm |
| 1 | 5 x 19 mm | 1 | 300 mm |
| 1 | 130 mm | 1 | 300 mm |
| 3 | 1.5 - 2 - 2.5 mm | 1 | 300 mm |
| 2 | PH0 - PH1 | 1 | 300 mm |
| 2 | PZ0 - PZ1 | 1 | 300 mm |
| 7 | T4 - T5 - T6 - T7 - T8 - T10 - T15 | 1 | 300 mm |
| 3 | 0.7 - 0.9 - 1.3 mm | 1 | 300 mm |
| 3 | 2 - 2.5 - 3 mm | 1 | 300 mm |



Hard top
EVA

±393 x 293 x 150 mm / 8500 g



UNIVERSAL-ALU-WERKZEUGKOFFER COFFRET ALU D'OUTILS UNIVERSELS UNIVERSAL ALU TOOL CASE

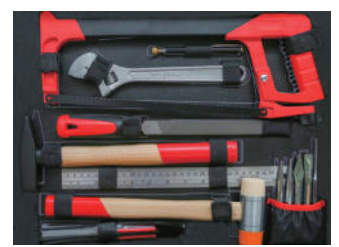
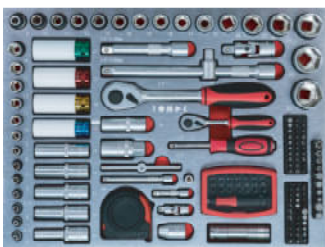
282
PCS



- | | | | |
|--|-------------------------------------------------------------------------------------|--|--------------------------------------|
| | 13 4 - 4.5 - 5 - 5.5 - 6 - 7 - 8
9 - 10 - 11 - 12 - 13 - 14 mm | | 5 3.5 - 4.0 - 5.5 - 6.5 - 8.0 mm |
| | 1 1/4" | | 1 6.5 mm |
| | 1 1/4" | | 2 PH1 - PH2 |
| | 2 50 mm / 100 mm | | 1 PH2 |
| | 1 110 mm | | 1 1/4" |
| | 1 1/4" | | 1 110 - 250 V |
| | 1 1/4" | | 1 1.5 kg |
| | 14 8 - 10 - 11 - 12 - 13 - 14 - 15 - 16
17 - 18 - 19 - 22 - 24 - 27 - 30 - 32 mm | | 3 1.5 - 2 - 2.5 mm |
| | 5 10 - 12 - 13 - 14 - 15 mm | | 2 PH0 - PH1 |
| | 4 17 - 19 - 21 - 22 mm | | 2 PZ0 - PZ1 |
| | 2 16 - 21 mm | | 7 T4 - T5 - T6 - T7 - T8 - T10 - T15 |
| | 1 1/2" | | 4 0.7 - 0.9 - 1.3 - 1.5 mm |
| | 1 1/2" | | 3 2 - 2.5 - 3 mm |
| | 2 125 mm / 250 mm | | 1 95 mm |
| | 1 3/8" | | |
| | 1 1/2" | | |
| | 6 4 - 4.5 - 5.5 - 6 - 6.5 - 8 mm | | |
| | 5 PH0 - PH1 - PH2 - PH3 - PH4 | | |
| | 4 PZ0 - PZ1 - PZ2 - PZ3 | | |
| | 6 3 - 4 - 5 - 6 - 7 - 8 mm | | |
| | 5 2 - 3 - 4 - 5 - 6 mm | | |
| | 14 T8 - T10x2 - T15x2 - T20x2
T25x2 - T27 - T30x2 - T40x2 | | |
| | 8 TT8 - TT10 - TT15 - TT20 - TT25
TT27 - TT30 - TT40 | | |
| | 4 4 - 6 - 8 - 10 mm | | |
| | 4 No. 1 - No. 2 - No. 3 - No. 4 | | |
| | 3 6 - 8 - 10 mm | | |
| | 1 1/4" | | |
| | 2 10 - 12 mm | | |
| | 4 T45 - T50 - T55 - T60 | | |
| | 4 TT45 - TT50 - TT55 - TT60 | | |
| | 16 5.5 - 6 - 7 - 8 - 9 - 10 - 11 - 12 - 13 - 14
15 - 16 - 17 - 18 - 19 - 22 mm | | |
| | 2 24 X 27 mm - 30 X 32 mm | | |
| | 4 18 mm | | |
| | 10 18 mm | | |
| | 9 1.5 - 2 - 2.5 - 3 - 4 - 5 - 6 - 8 - 10 mm | | |



495 x 179 x 390 mm / 17'900 g



WERKSTATTWAGEN MIT UNIVERSELLEN WERKZEUGEN
CHARIOT D'ATELIER, ÉQUIPÉ D'OUTILS UNIVERSELS
WORKSHOP CABINET WITH UNIVERSAL TOOLS

1/4" 1/2"

4mm 1/4" 5/16"

283
PCS

Hard top
EVA



± 770 x 460 x 970 mm / 75 kg



GRATIS / GRATUIT / FREE

Für den mobilen Einsatz:

Alu-Werkzeugkoffer, leer, mit EVA-Einlage und Werkzeugtafeln, exakt passend für alle Werkzeuge

Pour l'utilisation mobile :

Coffret à outils en alu, vide, avec insert en EVA et plateaux à outils, bien adaptées à tous les outils

For mobile use:

Aluminum tool case, empty, with EVA insert and Tool pallets, perfectly fitting all tools



T ● M ▶ C

Art. TC0139

Werkstattwagen mit universellen Werkzeugen

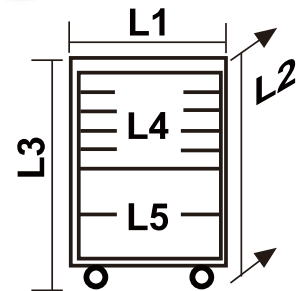
Chariot d'atelier, équipé d'outils universels

Workshop cabinet with universal tools



Inhalt / Contenu / Contents:

- 13 4 - 4.5 - 5 - 5.5 - 6 - 7 - 8
9 - 10 - 11 - 12 - 13 - 14 mm
- 1 1/4"
- 1 1/4"
- 2 50 mm / 100 mm
- 1 110 mm
- 1 1/4"
- 1 1/4"
- 16 8 - 10 - 11 - 12 - 13 - 14 - 15 - 16
17 - 18 - 19 - 22 - 24 - 27 - 30 - 32 mm
- 5 10 - 12 - 13 - 14 - 15 mm
- 4 17 - 19 - 21 - 22 mm
- 2 16 - 21 mm
- 1 1/2"
- 1 1/2"
- 2 125 mm / 250 mm
- 1 3/8"
- 1 1/2"
- 6 4 - 4.5 - 5.5 - 6 - 6.5 - 8 mm
- 5 PH0 - PH1 - PH2 - PH3 - PH4
- 4 PZ0 - PZ1 - PZ2 - PZ3
- 6 3 - 4 - 5 - 6 - 7 - 8 mm
- 5 2 - 3 - 4 - 5 - 6 mm
- 14 T8 - TT10x2 - TT15x2 - TT20x2
TT25x2 - TT27 - TT30x2 - T40x2
- 8 TT8 - TT10 - TT15 - TT20 - TT25
TT27 - TT30 - TT40
- 4 4 - 6 - 8 - 10 mm
- 4 No. 1 - No. 2 - No. 3 - No. 4
- 3 6 - 8 - 10 mm
- 1 1/4"
- 1 60 mm
- 2 10 - 12 mm
- 4 T45 - T50 - T55 - T60
- 4 TT45 - TT50 - TT55 - TT60
- 16 5.5 - 6 - 7 - 8 - 9 - 10 - 11 - 12 - 13 - 14
15 - 16 - 17 - 18 - 19 - 22 mm
- 2 24 X 27 mm - 30 X 32 mm
- 4 18 mm
- 10 18 mm
- 9 1.5 - 2 - 2.5 - 3 - 4 - 5 - 6 - 8 - 10 mm
- 5 3.5 - 4.0 - 5.5 - 6.5 - 8.0 mm
- 1 6.5 mm
- 2 PH1 - PH2
- 1 PH2
- 1 1/4"
- 1 110 - 250 V
- 1 1.5 kg
- 3 1.5 - 2 - 2.5 mm
- 2 PH0 - PH1
- 2 PZ0 - PZ1
- 7 T4 - T5 - T6 - T7 - T8
T10 - T15
- 4 0.7 - 0.9 - 1.3 - 1.5 mm
- 3 2 - 2.5 - 3 mm
- 1 95 mm
- 1 160 mm
- 1 250 mm
- 1 180 mm
- 1 200 mm
- 1 200 mm
- 1 200 mm
- 1 LED
- 60
- 5
- 6
- 1 250 mm
- 1 310mm
- 1 300g
- 1 35 mm
- 1 200 mm
- 1 5 X 19 mm
- 1 300 mm



TC0139	L 1 (mm)	L 2 (mm)	L 3 (mm)
TOTAL	770	460	970
L 4 (mm)	6 x 535	6 x 400	6 x 74
L 5 (mm)	1 x 535	1 x 400	1 x 226

UNIVERSAL-WERKZEUG-WERKSTATTWAGEN "Oelfass"

SERVANTE D'OUTILS UNIVERSELS "Baril de pétrol"

UNIVERSAL TOOL CABINET "Oil barrel"

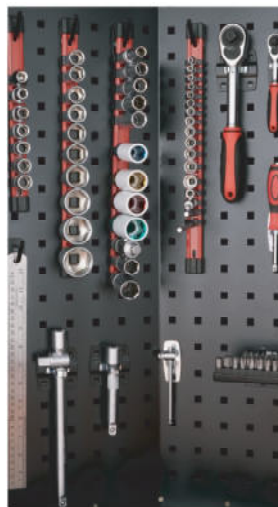
283
PCS

1/4" 1/2" 4mm 1/4" 5/16"

- | | | | |
|--|-------------------------------------------------------------------------------------|--|--------------------------------------|
| | 13 4 - 4,5 - 5 - 5,5 - 6 - 7 - 8
9 - 10 - 11 - 12 - 13 - 14 mm | | 5 3,5 - 4,0 - 5,5 - 6,5 - 8,0 mm |
| | 1 1/4" | | 1 6,5 mm |
| | 1 1/4" | | 2 PH1 - PH2 |
| | 2 50 mm / 100 mm | | 1 PH2 |
| | 1 110 mm | | 1 1/4" |
| | 1 1/4" | | 1 110 - 250 V |
| | 1 1/4" | | 1 1,5 kg |
| | 1 1/4" | | 3 1,5 - 2 - 2,5 mm |
| | 16 8 - 10 - 11 - 12 - 13 - 14 - 15 - 16
17 - 18 - 19 - 22 - 24 - 27 - 30 - 32 mm | | 2 PH0 - PH1 |
| | 78mm | | 2 PZ0 - PZ1 |
| | 5 10 - 12 - 13 - 14 - 15 mm | | 7 T4 - T5 - T6 - T7 - T8 - T10 - T15 |
| | 4 17 - 19 - 21 - 22 mm | | 4 0,7 - 0,9 - 1,3 - 1,5 mm |
| | 2 16 - 21 mm | | 3 2 - 2,5 - 3 mm |
| | 1 1/2" | | 1 95 mm |
| | 1 1/2" | | 1 160 mm |
| | 1 1/2" | | 1 250 mm |
| | 1 1/2" | | 1 180 mm |
| | 6 4 - 4,5 - 5,5 - 6 - 6,5 - 8 mm | | 1 200 mm |
| | 5 PH0 - PH1 - PH2 - PH3 - PH4 | | 1 200 mm |
| | 4 PZ0 - PZ1 - PZ2 - PZ3 | | 1 LED |
| | 6 3 - 4 - 5 - 6 - 7 - 8 mm | | 60 |
| | 5 2 - 3 - 4 - 5 - 6 mm | | 5 |
| | 14 T8 - T10x2 - T15x2 - T20x2
T25x2 - T27 - T30x2 - T40x2 | | 6 |
| | 8 TT8 - TT10 - TT15 - TT20 - TT25
TT27 - TT30 - TT40 | | 1 250 mm |
| | 4 4 - 6 - 8 - 10 mm | | 1 310mm |
| | 4 No. 1 - No. 2 - No. 3 - No. 4 | | 1 300g |
| | 3 6 - 8 - 10 mm | | 1 35 mm |
| | 1 1/4" | | 1 200 mm |
| | 2 10 - 12 mm | | 1 5 X 19 mm |
| | 4 T45 - T50 - T55 - T60 | | 1 300 mm |
| | 4 TT45 - TT50 - TT55 - TT60 | | 1 60 mm |
| | 16 5,5 - 6 - 7 - 8 - 9 - 10 - 11 - 12 - 13 - 14
15 - 16 - 17 - 18 - 19 - 22 mm | | |
| | 2 24 X 27 mm - 30 X 32 mm | | |
| | 4 18 mm | | |
| | 10 18 mm | | |
| | 9 1,5 - 2 - 2,5 - 3 - 4 - 5 - 6 - 8 - 10 mm | | |



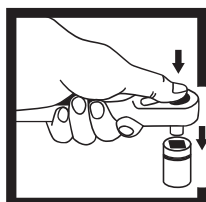
±D580 x H800 mm / 56'000 g



UMSCHALTKNARREN

CLIQUETS RÉVERSIBLES

REVERSIBLE RATCHET HANDLES



Art.	□	L
TC0121	1/4"	150 mm
TC0122	3/8"	200 mm
TC0123	1/2"	250 mm

Auf Blisterkarte
 Sur carte blister
 On blister card



CLICK-DREHMOMENTSCHLÜSSEL mit MikroEinstellung
CLÉ DYNAMOMÉTRIQUE A CLIC avec micro-réglage
Micro adjusting CLICK TORQUE WRENCH

DIN / ISO 6789



**In Hartschalenkoffer mit
Anleitung + Zertifikat**

**Dans coffret en plastique dur
avec mode d'emploi + certificat**

**In blow mould case with
manual + certificate**

1/2"

40 – 200 Nm

30 – 150 lb.ft.

±4%

0.5 Nm

Dual-Fenster-Skala
Échelle à double fenêtre
Double window scale

Individuelle Serien-Nummer
Numéro de série individuel
Individual serial number

↕ 463 mm x 40 mm / 1'020 g

WINKELSTIFTSCHLÜSSELSÄTZE

JEU DE CLES MALES COUDEES

L-WRENCH KEY SETS

Art. TC0125

Kugelpfopf-Sechskant-
Winkelstiftschlüssel-Satz

Jeu de clés mâles coudées
6 pans à tête sphérique

Offset ballpoint hexagon key
wrench set

1.5 – 2 – 2.5 – 3

4 – 5 – 6 – 8 – 10 mm

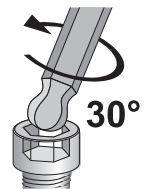
DIN / ISO 2936

auf Blisterkarte / sur carte blister / on blister card



**9
PCS**

CrV



±195 x 72 x 28 mm / 347 g

**9
PCS**



CrV

Art. TC0134

TX-Winkelstiftschlüssel-Satz

Jeu de clés mâles coudées TX

Offset TX key wrench set

T10 - T15 - T20

T25 - T27 - T30

T40 - T45 - T50

±173 x 66 x 25 mm / 310 g

RATSCHEN-RINGGABELSCHLÜSSEL-SÄTZE
JEUX DE CLÉS COMBINÉES À CLIQUET
RATCHET COMBINATION SPANNER SETS

12
PCS

Art. TC0132

gerade / plat / straight



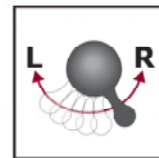
8 - 9 - 10 - 11 - 12 - 13 - 14

15 - 16 - 17 - 18 - 19 mm

⊕ 180 x 265 x 65 mm / 2060 g

Art. TC0131

umschaltbar / réversible /
reversible



Art. TC0130

4 in 1

⊕ 198 x 35 x 21 mm / 190 g



ABBRECHMESSER CUTTER UNIVERSEL RETRACTABLE CUTTER KNIFE

Art. TC0126

- Mit 2-Komponenten-Griff
- Feinverzahnte Klingenführung aus rostfreiem Stahl
- Autostop-Sicherheits-Klingenarretierung
- Inkl. 3 Abbrechklingen 18 mm
- Integriertes Klingen-Magazin



± 170 x 48 x 20 mm / 110 g

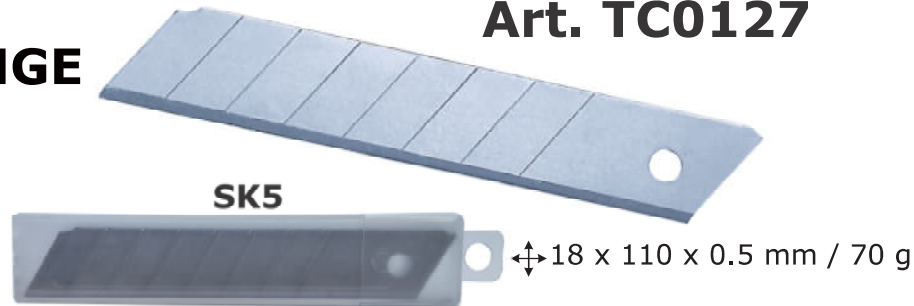
- Avec manche bi-matière
- Guide-lame à dents fines en acier inoxydable
- Verrouillage de la lame de sécurité avec arrêt automatique
- Avec 3 lames sécables 18 mm
- Magazine de lames intégré

- With 2-component handle
- Fine-toothed blade guide made of stainless steel
- Autostop safety blade lock
- Incl. 3 snap-off blades 18 mm
- Integrated blade magazine

ERSATZKLINGEN LAMES DE RECHANGE SPARE BLADES

Art. TC0127

Kunststoffbox mit 10 Stück
Boîte en plastique avec 10 pièces
Plastic box with 10 pieces



SK5

± 18 x 110 x 0.5 mm / 70 g

ARBEITS-KLAPPMESSER COUTEAU PLIANT DE TRAVAIL WORKING FOLDING KNIFE

Art. RB-8201



± 203 (117) x 45 x 21 mm / 143.9 g

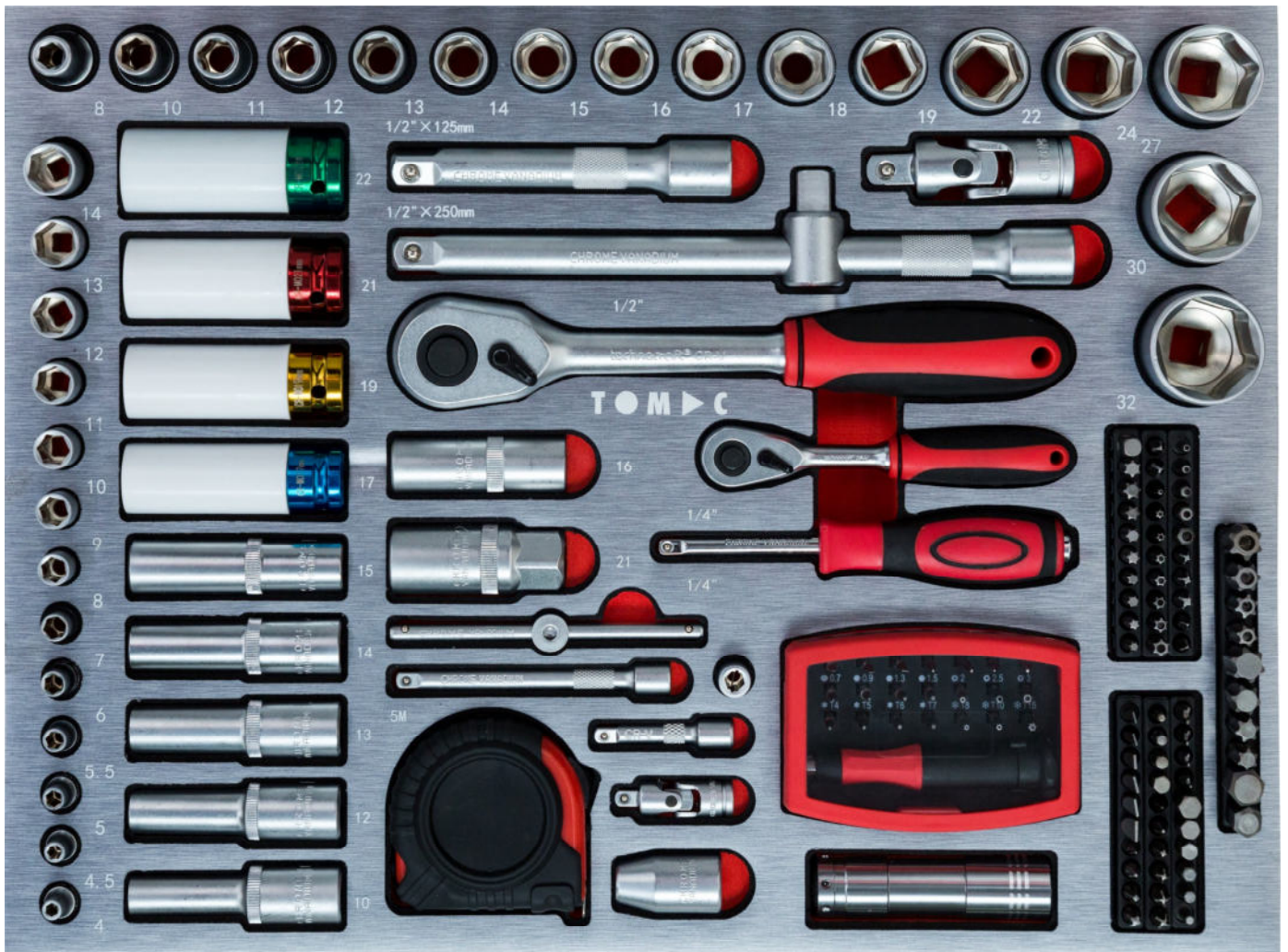
- Einhändig öffnen und schliessen
- Speziell scharfe Inox-Klinge zum Schneiden und Sägen
- Ergonomischer Holzschalengriff
- Linerlock Sicherheitsarretierung
- Gürtelclip

- Ouvrir et fermer d'une seule main
- Lame en acier inox très aiguisée pour couper et scier
- Manche coque ergonomique en bois
- Serrure de sécurité Linerlock
- Clip de ceinture

- Open and close with one hand
- Specially sharp stainless steel blade for cutting and sawing
- Ergonomic wooden shell handle
- Linerlock safety lock
- Belt clip

T O M ► C

**MEHR ALS NUR WERKZEUGE
BIEN PLUS QUE DES OUTILS
MORE THAN JUST TOOLS**

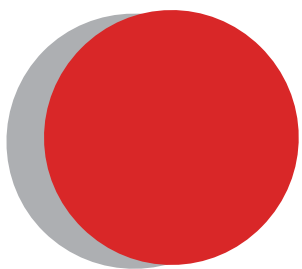


QUALITÄT aus ERFAHRUNG

QUALITÉ validée par l'EXPÉRIENCE

QUALITY from EXPERIENCE

T



LEUCHTEN

M

LAMPES



Seit / depuis / since 1992

LIGHTS

C



2024







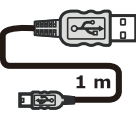


AKKU-LED-STIFTLUCHE

LAMPE STYLO LED RECHARGEABLE

RECHARGEABLE PEN LIGHT

2 W



 <p>2 W</p>	 <p>1 W TOP</p>	 <p>2 W: 3 h / 150 lm 2 W: 4 h / 50 lm</p>
 <p>Li-ion 3.7 V 800 mAh</p>	 <p>1.5 h</p>	 <p>-10°C - 40°C</p>
 <p>1 m USB</p>	<p>OPTIONAL</p>  <p>USB 5V1A</p>	 <p>IP 54</p>

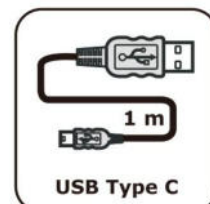
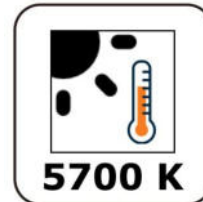
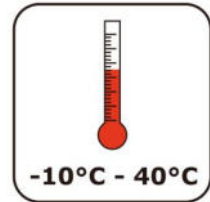
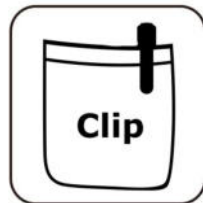
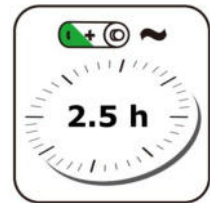
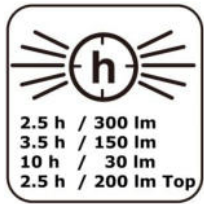
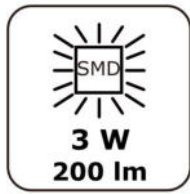
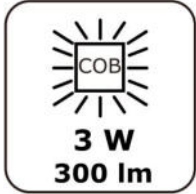
±168 x 23 x 30 mm / 125 g



AKKU-LED-STIFTLAUCHE

LAMPE STYLO LED RECHARGEABLE

RECHARGEABLE PEN LED LIGHT



COB



± 160x17.3xØ13.8 mm / 92 g



12 Stk./pcs.

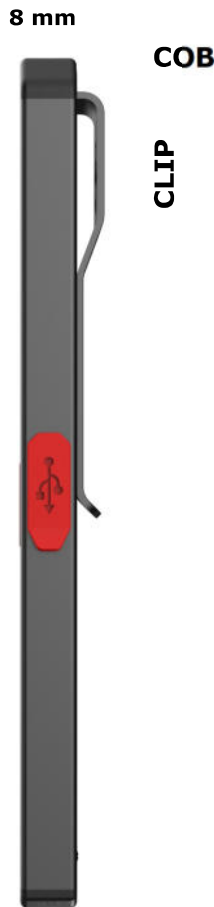
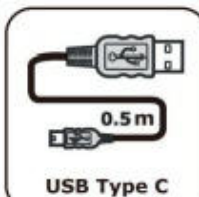
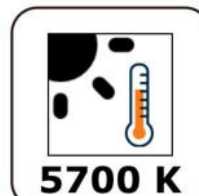
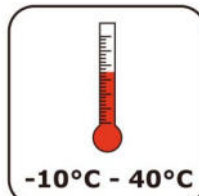
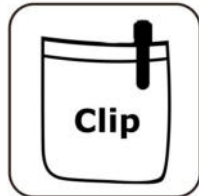
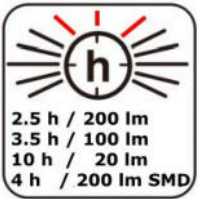


Art. TC0517

AKKU-LED-INSPEKTIONSLEUCHE

LAMPE LED D'INSPECTION RECHARGEABLE

RECHARGEABLE INSPECTION LED LIGHT



ALUMINIUM
USB-C



122x25x12(8) mm / 79 g



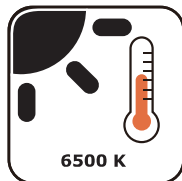
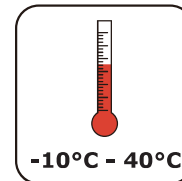
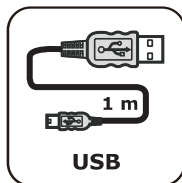
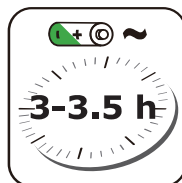
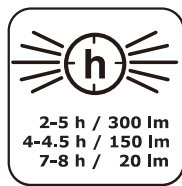
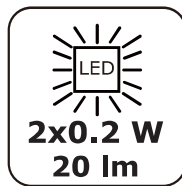
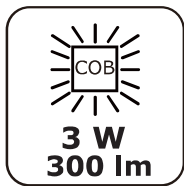
30 Stk./pcs.



EXTRA FLACHE AKKU-LED-ARBEITSLEUCHE 2 IN 1

LAMPE DE TRAVAIL LED RECHARGEABLE EXTRA PLATE 2 EN 1

RECHARGEABLE SLIM LIGHT 2 IN 1



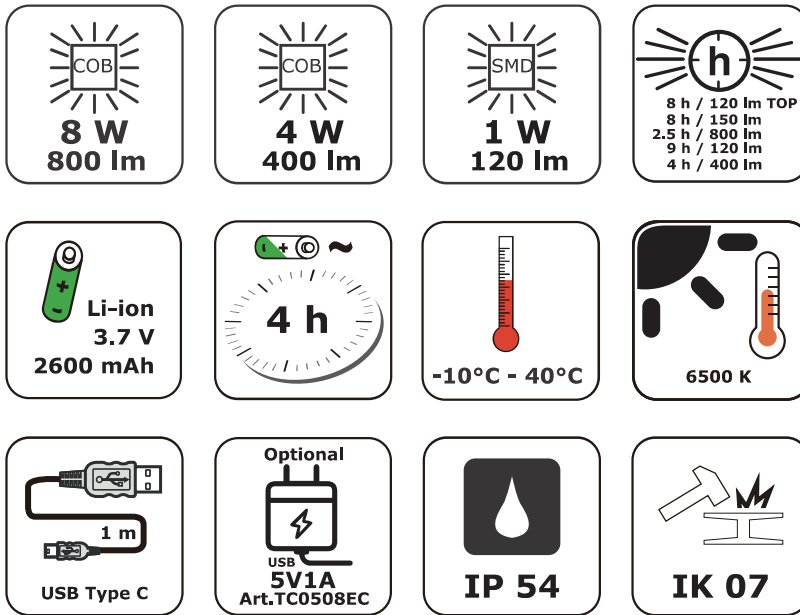
±360 x 40 x 34 mm / 230 g



KLAPPBARE, ULTRA-FLACHE HIGH POWER AKKU-LED-TASCHEN-ARBEITSLEUCHE

LAMPE LED DE POCHE RECHARGEABLE, PLIABLE - ULTRA-PLATE, HAUTE PUISSANCE

RECHARGEABLE HIGH POWER FOLDABLE POCKET SLIMLIGHT

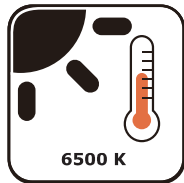
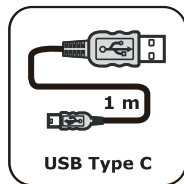
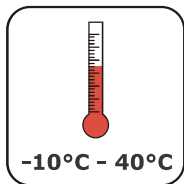
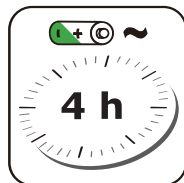
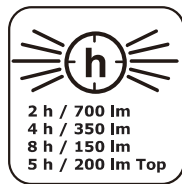
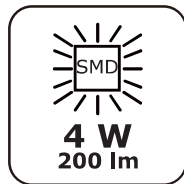
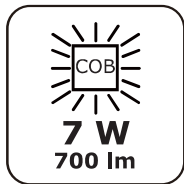



±304 x 33 x 29 mm / 240 g

HOCHLEISTUNGS-AKKU-LED-ARBEITS-/INSPEKTIONS-LEUCHTE 3 IN 1

LAMPE DE TRAVAIL / INSPECTION RECHARGEABLE LED HAUTE PERFORMANCE 3 EN 1

RECHARGEABLE INSPECTION AND POWER WORK LIGHT 3 IN 1

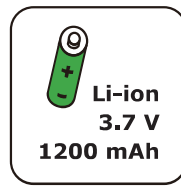
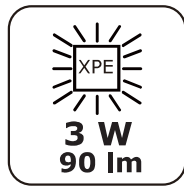
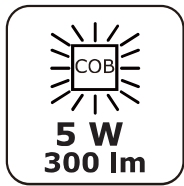


±260 x 53 x 39.3 mm / 580 g  

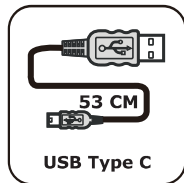
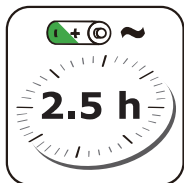
FLEXIBLE, EINSTELLBARE AKKU-COB-LED-STIRN-UND HELM-LAMPE MIT 5 LICHT-MODI

LAMPE FRONTALE ET DE CASQUE LED COB À BATTERIE, AJUSTABLE ET FLEXIBLE AVEC 5 MODES D'ÉCLAIRAGE

FLEXIBLE, ADJUSTABLE RECHARGEABLE COB LED HEAD AND HELMET LAMP WITH 5 LIGHT MODES



DAS ECHE
LE VRAI
THE REAL



ORIGINAL



115 g CE RoHS



COB 100 %



COB DIM



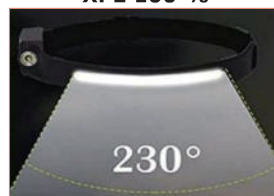
XPE 100 %



XPE DIM



Sensor Motion



230°

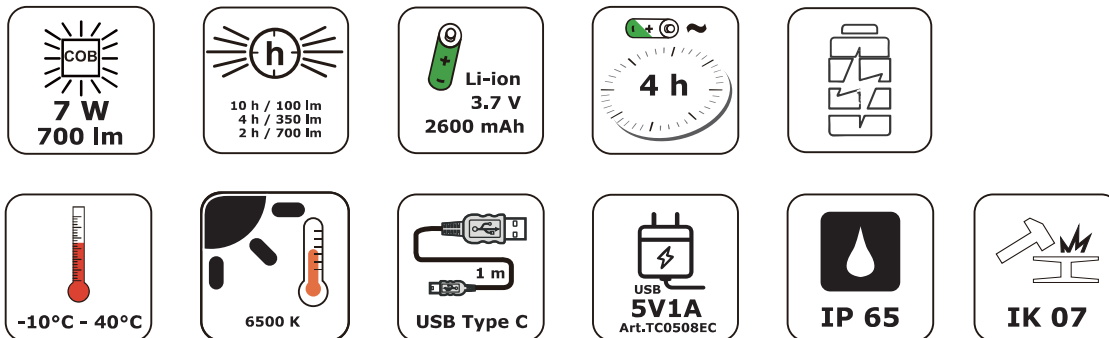




Strobe
Blinken
Clignoter

TASCHEN-FLUTLICHT-LEUCHE

PROJECTEUR DE POCHE

POCKET FLOOD LIGHT



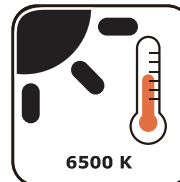
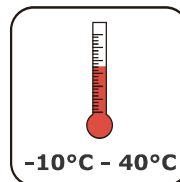
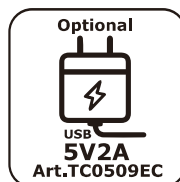
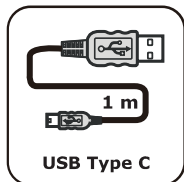
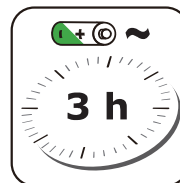
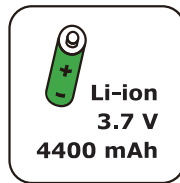
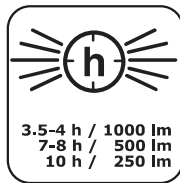
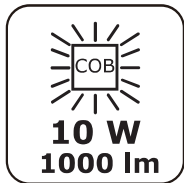
+93 x 88.5 x 30 mm / 375 g  




LED-AKKU-BAUSTRALER UND USB-POWER BANK

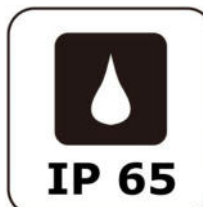
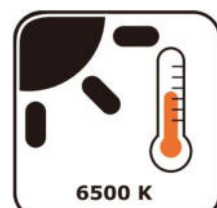
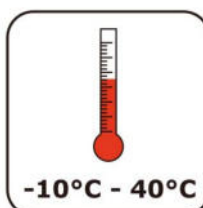
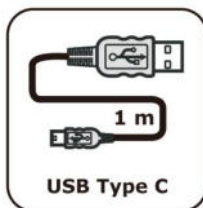
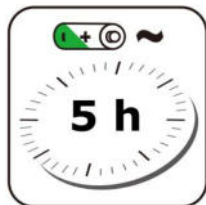
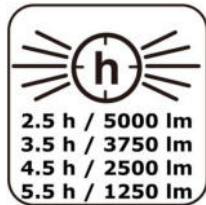
PROJECTEUR DE TRAVAIL LED RECHARGEABLE ET POWERBANK USB

RECHARGEABLE FLOOD LIGHT AND USB-POWER BANK



±175 x 135 x 55 mm / 550 g  

LED-AKKU-BAUSTRAHLER UND USB-POWERBANK PROJECTEUR DE TRAVAIL LED RECHARGEABLE ET POWERBANK USB RECHARGEABLE FLOOD LIGHT AND USB-POWERBANK



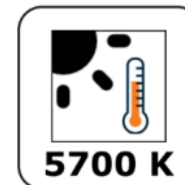
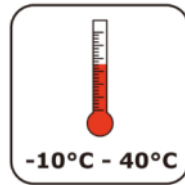
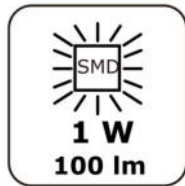
254 x 65 x 260 mm / 1'700 g



HOCHLEISTUNGS-AKKU-LED-ALLZWECK-TASCHENLAMPE MIT INDUKTIONS-SCHNELL-LADESTATION

LAMPE À LED DE POCHE MULTI-USAGE SANS FIL DE HAUTE PERFORMANCE AVEC BASE À INDUCTION DE CHARGE RAPIDE

HIGH PERFORMANCE CORDLESS ALL PURPOSE POCKET LED LAMP WITH INDUCTION QUICK CHARGING BASE



25 x 68 x 133 mm / 185 g



Adapter
Adaptateur

5V 4A

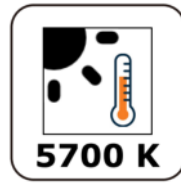
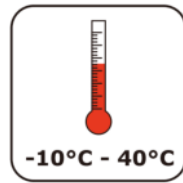
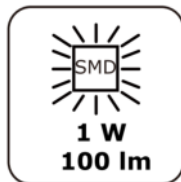
Magnet-Schnell-Ladestation
Base magnétique de charge rapide
Magnetic quick charge base



HOCHLEISTUNGS-AKKU-LED-ARBEITS-/INSPEKTIONS-LEUCHE MIT INDUKTIONS-SCHNELL-LADESTATION

LAMPE À LED DE TRAVAIL/D'INSPECTION SANS FIL DE HAUTE PERFORMANCE AVEC BASE À INDUCTION DE CHARGE RAPIDE

HIGH PERFORMANCE CORDLESS WORK-/INSPECTION LED LAMP WITH INDUCTION QUICK CHARGING BASE



COB

SMD



SMD



205 x 55 x 40 mm / 444 g



Adapter
Adaptateur

5V 4A

Magnet-Schnell-Ladestation
Base magnétique de charge rapide
Magnetic quick charge base



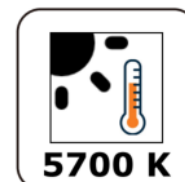
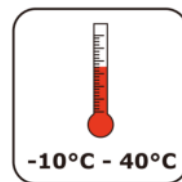
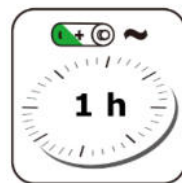
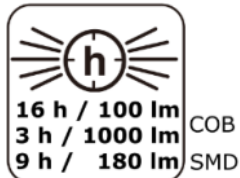
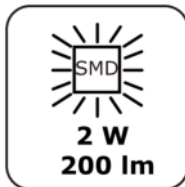
270°



HOCHLEISTUNGS-AKKU-LED-ARBEITS-/INSPEKTIONS-LEUCHE MIT INDUKTIONS-SCHNELL-LADESTATION

LAMPE À LED DE TRAVAIL/D'INSPECTION SANS FIL DE HAUTE PERFORMANCE AVEC BASE À INDUCTION DE CHARGE RAPIDE

HIGH PERFORMANCE CORDLESS WORK-/INSPECTION LED LAMP WITH INDUCTION QUICK CHARGING BASE



COB



SMD



360°



180°



Adapter
Adaptateur

259 x 59 x 40 mm / 507 g

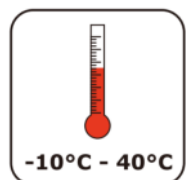
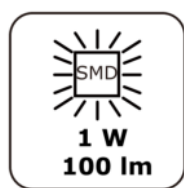
Magnet-Schnell-Ladestation
Base magnétique de charge rapide
Magnetic quick charge base



KLAPPBARE, ULTRA-FLACHE HOCHLEISTUNGS-AKKU-LED-ARBEITS-/INSPEKTIONS-LEUCHE MIT INDUKTIONS-SCHNELL-LADESTATION

LAMPE À LED DE TRAVAIL/D'INSPECTION SANS FIL DE HAUTE PERFORMANCE, PLIABLE ET ULTRA-PLATE AVEC BASE À INDUCTION DE CHARGE RAPIDE

HIGH PERFORMANCE CORDLESS FOLDABLE ULTRA SLIM WORK-/INSPECTION LED LAMP WITH INDUCTION QUICK CHARGING BASE



Magnet-Schnell-Ladestation
Base magnétique de charge rapide
Magnetic quick charge base



